

8 7 6 5 4 3 2 1

F F

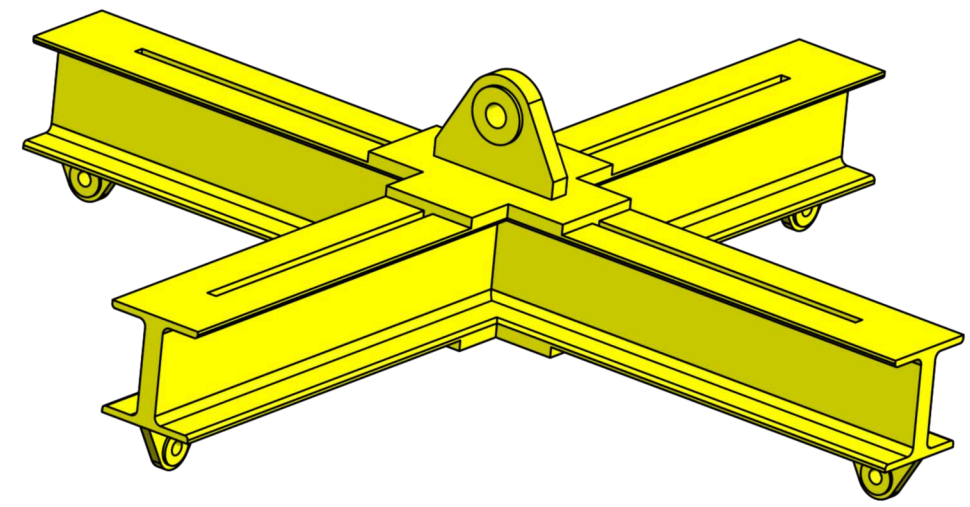
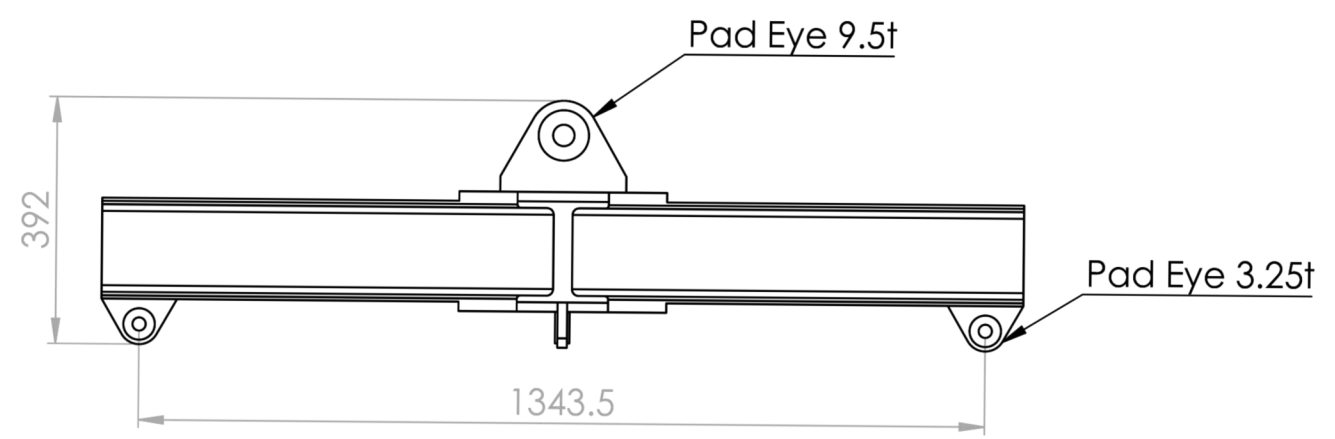
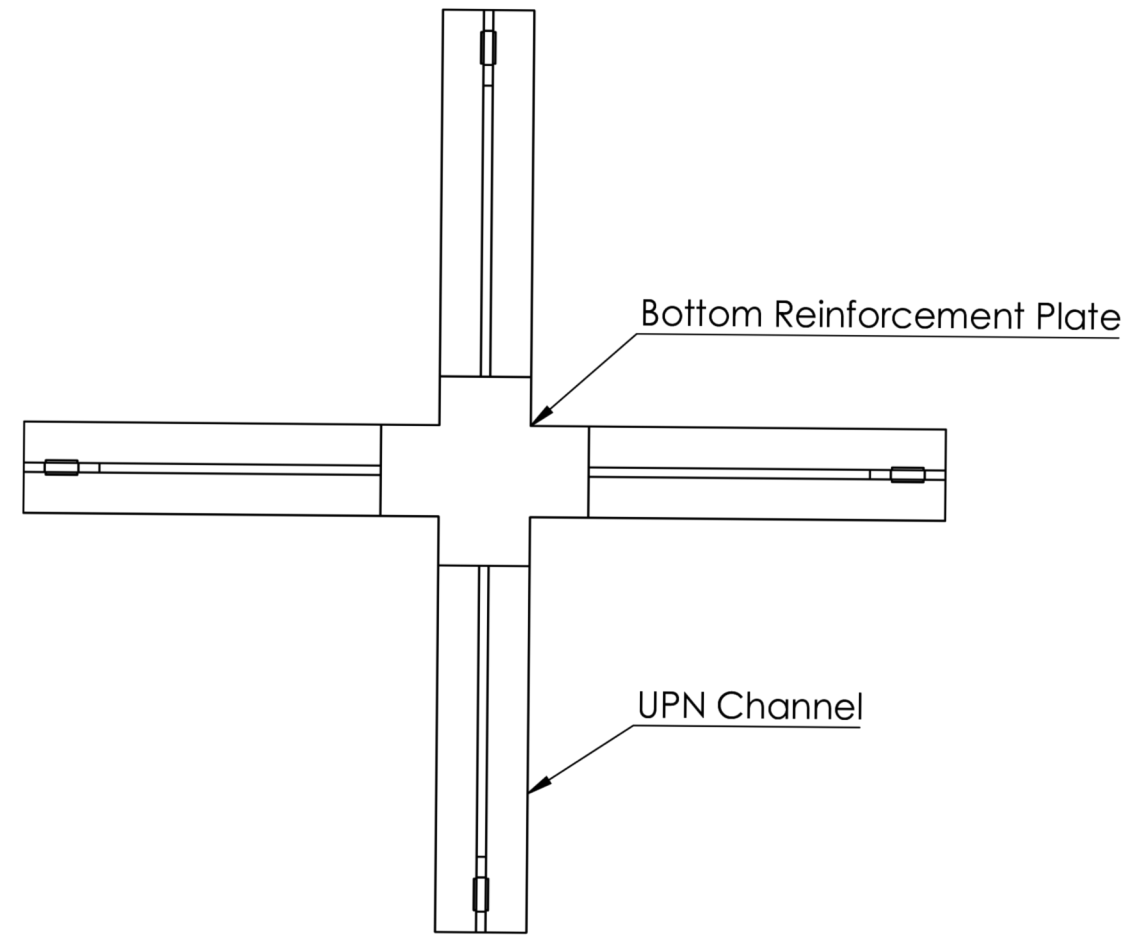
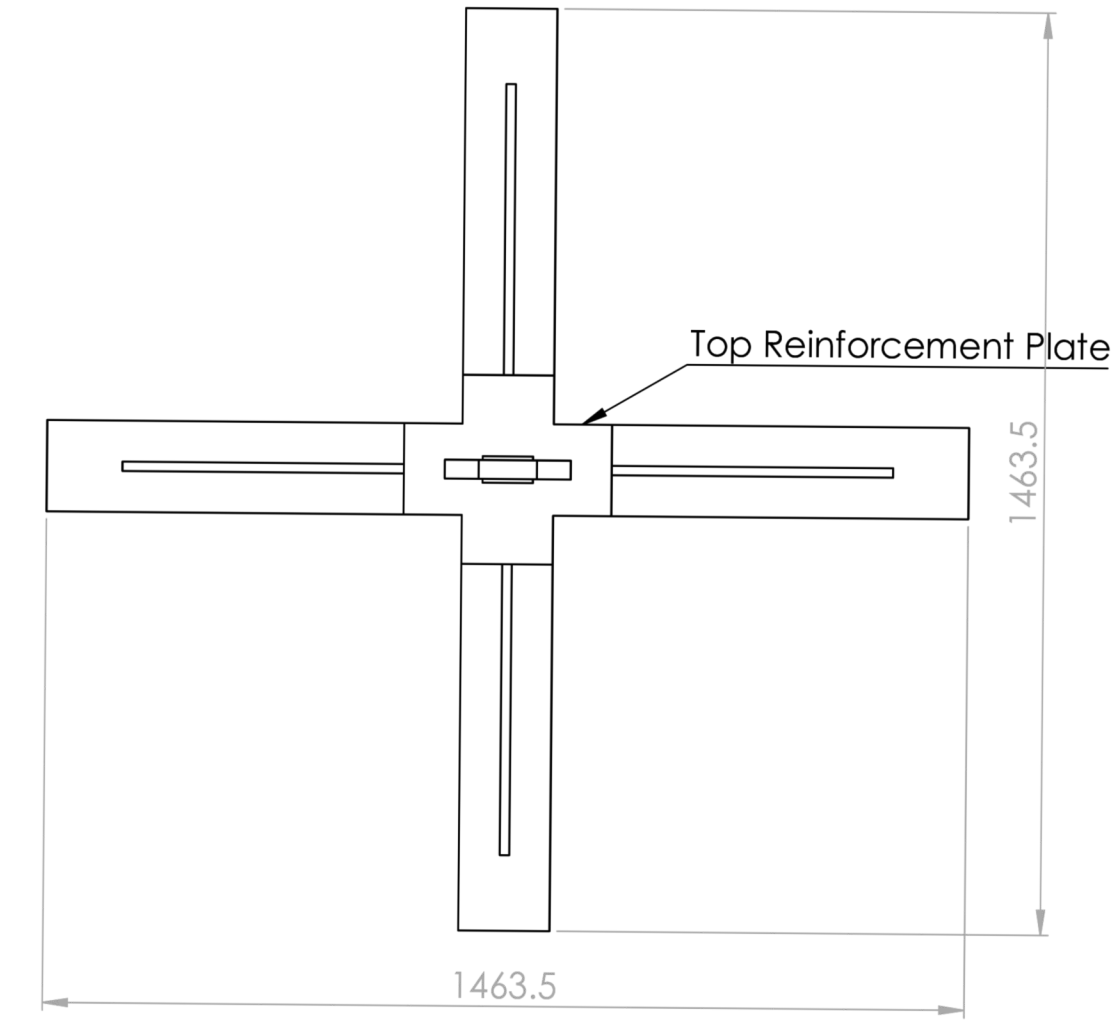
E E

D D

C C

B B

A A



Aberdeen Technical Services

DO NOT SCALE DRAWING REVISION: 001

Dimensions in mm

	NAME	SIGNATURE	DATE	TITLE:
DRAWN	Hasan Omran		29/9/2023	
CHK'D	Majd Dayoub		29/9/2023	
APPV'D	Hazem Hefni		29/9/2023	

BULK Bag Lifting Frame
SWL: 6 t

Client 

MATERIAL: Carbon Steel: A36

DWG NO. ATS-DRW-51-9-2023

A3

WBGHT: 153 kg approx.

SCALE: 1:4

SHEET 1 OF 1

8 7 6 5 4 3 2 1